



Product overview



GC-EVH600 2 Pole Metal Connector

■ The main technical parameters:

- Model: GC-EVH600
- Pole: 2 Pos
- Wire range: 16mm², 25mm²
- Rated voltage: 1000V
- Withstand voltage: 3000VAC
- Insulation resistance: 200MΩ
- Rated current: 120Amax
- Working temperature: -40°C~+125°C
- Water proof: IP67 (mated condition)
- Salt spray: 48H
- Mechanical life: 200次以上
- Termination method: crimp
- HVIL: optional

Material

Material	
Housing	zinc alloy
Insulator	PA66
Sealing	silicone rubber
Shielding	copper alloy
Contact	copper



MODEL NUMBER DESIGNATION



Socket: EVH212LS19M6A

Series name	EVH212	EVH212	L	S19	M6	A
HVIL	L: with HVIL; B: without HVIL					
	S19					
Socket screw	M6					
Key	A; B; C					

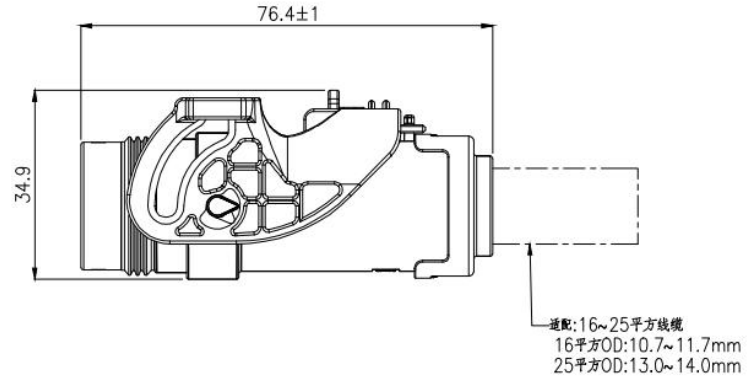
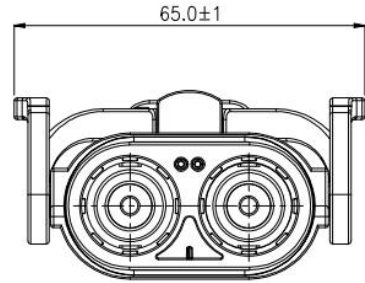


Plug: EVH212LS1925A

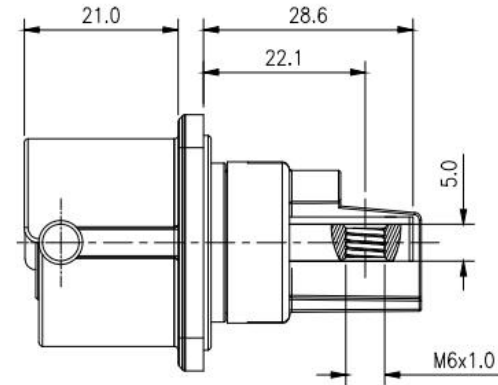
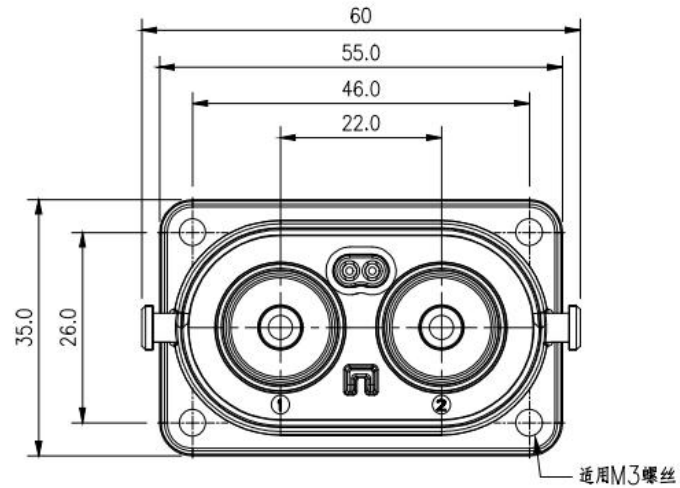
Series name	EVH212	EVH212	L	S19	25	A
HVIL	L: with HVIL; B: without HVIL					
	S19					
Wire range	16mm ² , 25mm ²					
Key	A; B; C					

➔ MOUNTING PANEL SIZE

Plug



Socket



EVH600 2-Pole Metal Connector



Custom Solution Provider

Address:

2A, Building 2, Hongji Xindu, Guanxing East Road, Longhua District,
Shenzhen, China

Email Address:

ec@guchen.com

Website: www.guchen-connector.com